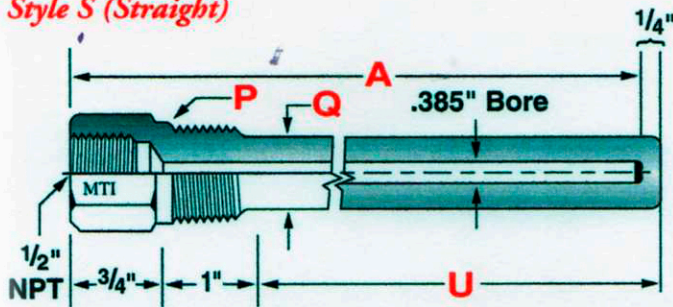
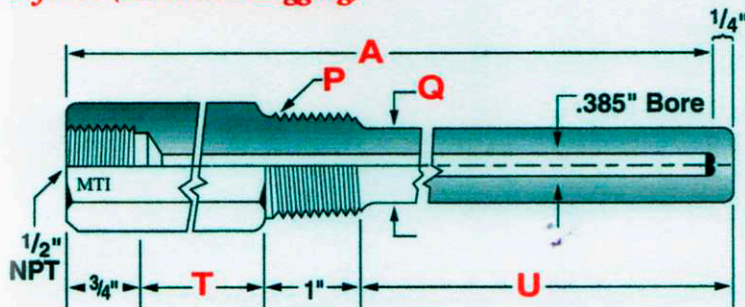


**STANDARD STRAIGHT (fits 3/8" diameter elements)**

*Style S (Straight)*



*Style H (Extended Lagging)*



**Straight Shank**

P Ext. Thread	Order Code	A Length	U Insertion	Q Shank Dia.
3/4" NPT	102S	4	2 1/2	9/64
		6	4 1/2	9/64
		9	7 1/2	9/64
		12	10 1/2	9/64
		15	13 1/2	9/64
1" NPT	108S	4	2 1/2	7/8
		6	4 1/2	7/8
		9	7 1/2	7/8
		12	10 1/2	7/8
		15	13 1/2	7/8
18	16 1/2	7/8		

**Straight Shank (Extended Lagging)**

P Ext. Thread	Order Code	A Length	U Insertion	Q Shank Dia.	T
3/4" NPT	H102S	Determined by T value	2 1/2	9/64	SPECIFY
			4 1/2	9/64	
			7 1/2	9/64	
			10 1/2	9/64	
			13 1/2	9/64	
1" NPT	H108S	Determined by T value	2 1/2	7/8	SPECIFY
			4 1/2	7/8	
			7 1/2	7/8	
			10 1/2	7/8	
			13 1/2	7/8	
16 1/2	7/8				

Standard Insertion Lengths (U) shown... ALL other sizes available.

Easy to Order...

Need Help? (800) 255-5638

**108S**  
Order  
Code #

**R**

Material

- P = 304 SS
- R = 316 SS
- Q = 310 SS
- J = 1600
- B = Brass
- C = Copper
- CS = Carbon Steel
- O = Other Alloys

(see page 17)

**4 1/2"**  
U  
Insertion  
Length  
(Inches)