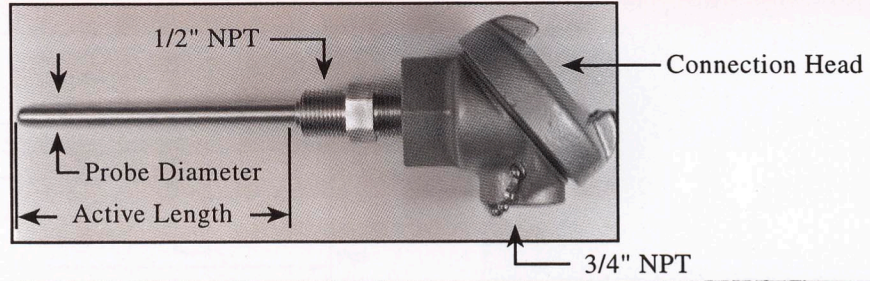


# STYLE RC

# RTD CONNECTION HEAD ASSEMBLY W/HEX MOUNTED FITTING



SEE PAGE 24 FOR  
OPTIONAL TRANSMITTER

REPLACE SQUARES WITH SELECTION FROM EACH TABLE

**TO ORDER:** RC - [ ] - [ ] - [ ] - [ ] - [ ] - [ ] - [ ] - [ ]

**TABLE:**

1          2          3          4          5          6          7          8

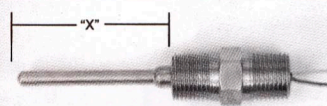
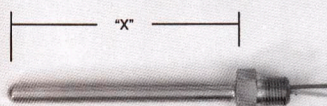
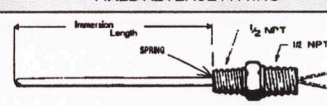
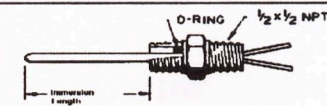
**TABLE 1**

ORDER CODE	SHEATH DIAMETER
2	.125"
3	.188"
4	.250"
5	.313"
6	.375"

**TABLE 2**

ORDER CODE	SHEATH MATERIAL
P	304SS
R	316SS
Q	310SS
J	INCONEL

**TABLE 7**

MOUNTING FITTINGS			
STYLE	DESCRIPTION	CODE	
 "X" FIXED HEX FITTING	1/2 x 1/2 NPT 1/4 x 1/4 NPT 3/4 x 3/4 NPT	H12 H14 H34	
	Designate (x) dimension in table 4.		
	 "X" FIXED REVERSE FITTING	1/8 NPT 1/4 NPT 1/2 NPT 3/4 NPT 1 NPT	B18 B14 B12 B34 B38
		Designate (X) dimension in table 4.	
 Immersion Length SPRING 1/2 NPT 1/2 NPT SPRING LOADED HEX FITTING		1/2 x 1/2 NPT	HS12
		FITS: .125" O.D. .188" O.D. .250" O.D.	
	 O-RING 1/2 x 1/2 NPT Immersion Length SPRING LOADED O-RING SEAL	1/2 x 1/2 NPT	
FITS: 1/4" O.D.			

**TABLE 3**

ORDER CODE	TEMPERATURE RANGE
A	400 F MAX
B	700 F MAX
C	900 F MAX
D	1200 F MAX

**TABLE 4**

LENGTH
Refer to illustration above for active length dimension. Specify length in whole and fractional inches. For example: 6.5"

**TABLE 5**

Specify 2,3, or 4 wire construction. For dual sensing element, designate prefix "D". i.e. D3

**TABLE 6**

SENSING ELEMENTS			
RESISTANCE °C (OHMS)		ALPHA	ORDER CODE
100	PLATINUM	.00385	P10
100	PLATINUM	.00390	P10A
200	PLATINUM	.00385	P20
200	PLATINUM	.00390	P20A
500	PLATINUM	.00385	P50
500	PLATINUM	.00390	P50A
1000	PLATINUM	.00385	P1M
1000	PLATINUM	.00390	P1MA
10	PLATINUM	.00385	P1
10	PLATINUM	.00390	P1A
100	NICKEL	.00618	N10
120	NICKEL	.00672	N12
100*	COPPER	.00427	C10
10*	COPPER	.00427	C1

Notes:

- 1) Fixed Fitting: standard stainless steel brazed to sheath. For welded fitting, designate prefix "W" (i.e. WH12(6)).
- 2) Double Fittings: fixed for .062" - .500" O.D. Spring loaded: for .125", .188", .250" O.D. O-ring SL fitting: for .250" O.D. only.

**TABLE 8**

CONNECTION HEADS			
1 Std. Cast Aluminum	4 Universal Cast Iron	5 Explosion Proof	
2 Std. Cast Iron	6 Polypropylene		
3 Universal Cast Aluminum	8 OTHER		
4 Aluminum Hinged			

## MTI - INDUSTRIAL TEMPERATURE SENSORS